

## eMSP50Ti

### SPECIALIZED LOUDSPEAKERS

*Sound projector*



### PRODUCT OVERVIEW

eMSP50Ti is a 2-way 50W sound projector, carefully selected for the most widespread 70/100V applications: paging and background music. It offers durability and an optimal voice and music reproduction. It is made of reinforced ABS and IP66 certified, ideal for high performance outdoors.

### KEY FEATURES

- Water-resistant ABS 2-way sound projector
- 50WRMS @ 8Ω
- Power options @ 100V: 50W / 25W / 12,5W / 9W / 4,5W / 2,6W & 8Ω
- Power options @ 70V: 25W / 12,5W / 9W / 4,5W / 2,6W / 1,3W & 8Ω
- IP66 certified
- Connection by terminal block
- Papyrus white finish (RAL 9018)

### APPLICATIONS

- Commercial
- Corporate
- Leisure

## TECHNICAL SPECIFICATIONS

## eMSP50Ti

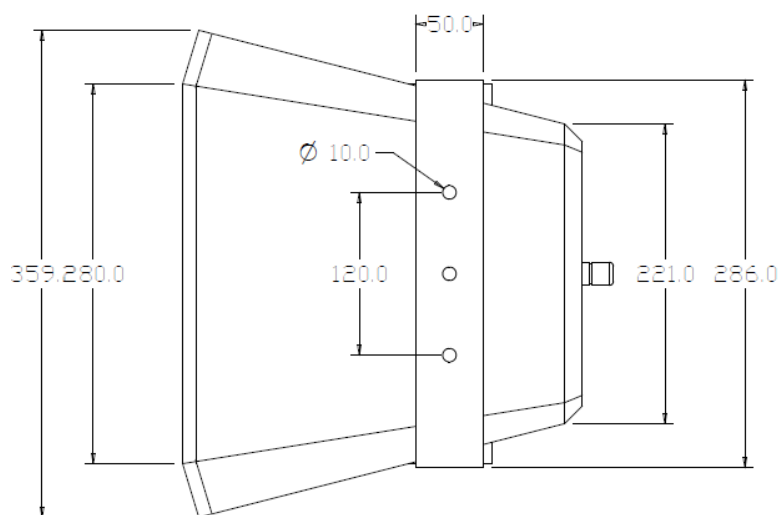
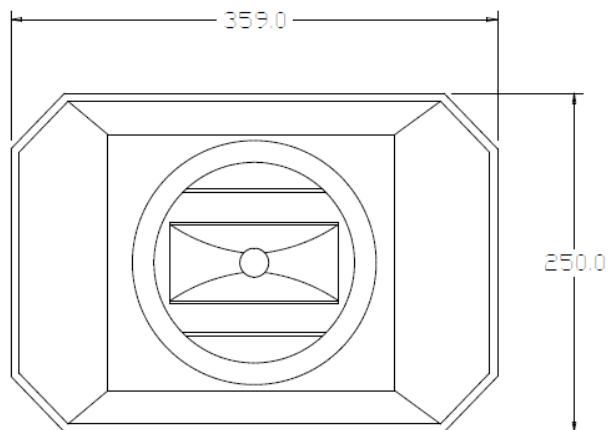
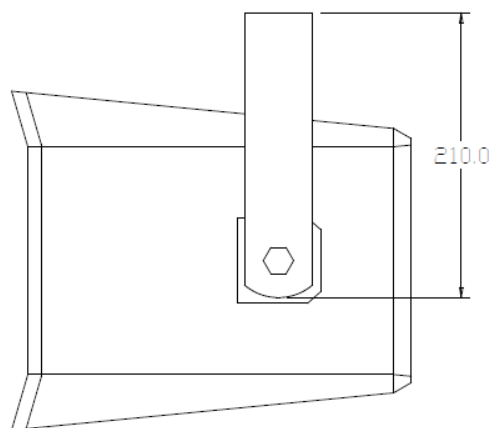
<b>Drivers</b>	6" woofer & 1" dome tweeter
<b>Nominal Impedance</b>	8Ω
<b>Power Handling</b>	50WRMS / 200W Peak
<b>Power options @ 100V</b>	50W / 25W / 12,5W / 9W / 4,5W / 2,6W & 8Ω
<b>Power options @ 70V</b>	25W / 12,5W / 9W / 4,5W / 2,6W / 1,3W & 8Ω
<b>Frequency response (-10dB)</b>	153 Hz-20 kHz
<b>Coverage angle</b>	66°x103° (HxV)
<b>Sensitivity 1W/1m</b>	95 dB
<b>Maximum SPL</b>	112dB continuous / 118dB peak
<b>IP rating</b>	IP66 (IEC60529 Certified)
<b>Finished color</b>	Papyrus white (RAL 9018)
<b>Material</b>	ABS
<b>Operating and storage conditions</b>	Min -20°C (-4°F); Max +60°C (+140°F)
<b>Dimensions (H x W x D)</b>	252 x 362 x 310mm / 9.9" x 14.3" x 12.2"
<b>Weight</b>	3,9 kg. / 8.6 lb.

## WIRING CODE

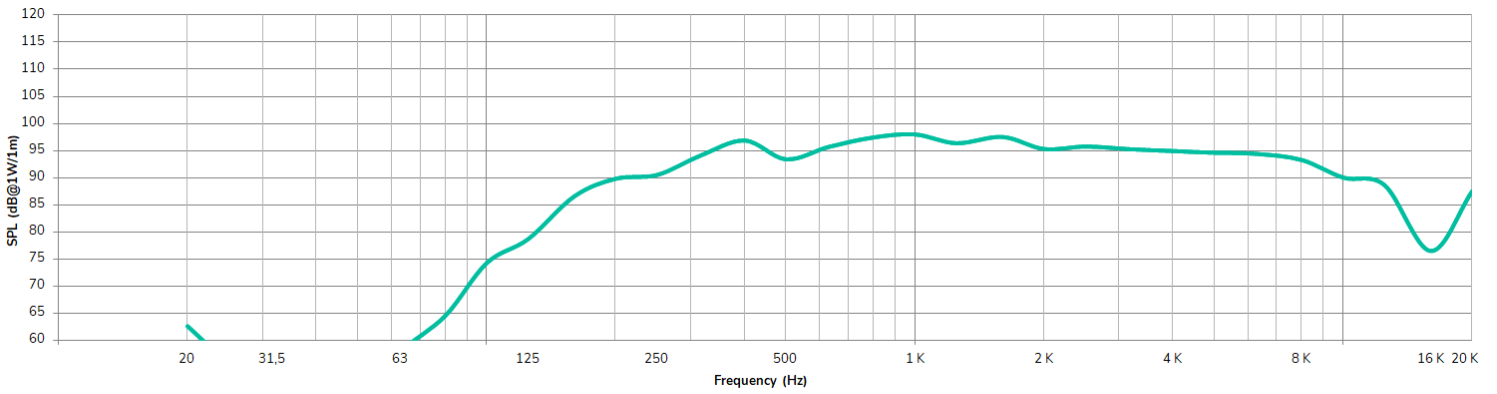
COLOR	@100V	@70V
RED - YELLOW	50W	25W
YELLOW - GREEN	25W	12,5W
GREEN - WHITE	12,5W	9W
RED - GREEN	9W	4,5W
YELLOW - WHITE	4,5W	2,6W
RED - WHITE	2,6W	1,3W
RED - BLACK	8Ω / 50W	8Ω / 50W

MECHANICAL DIAGRAMS

\*Distances are in millimeters.

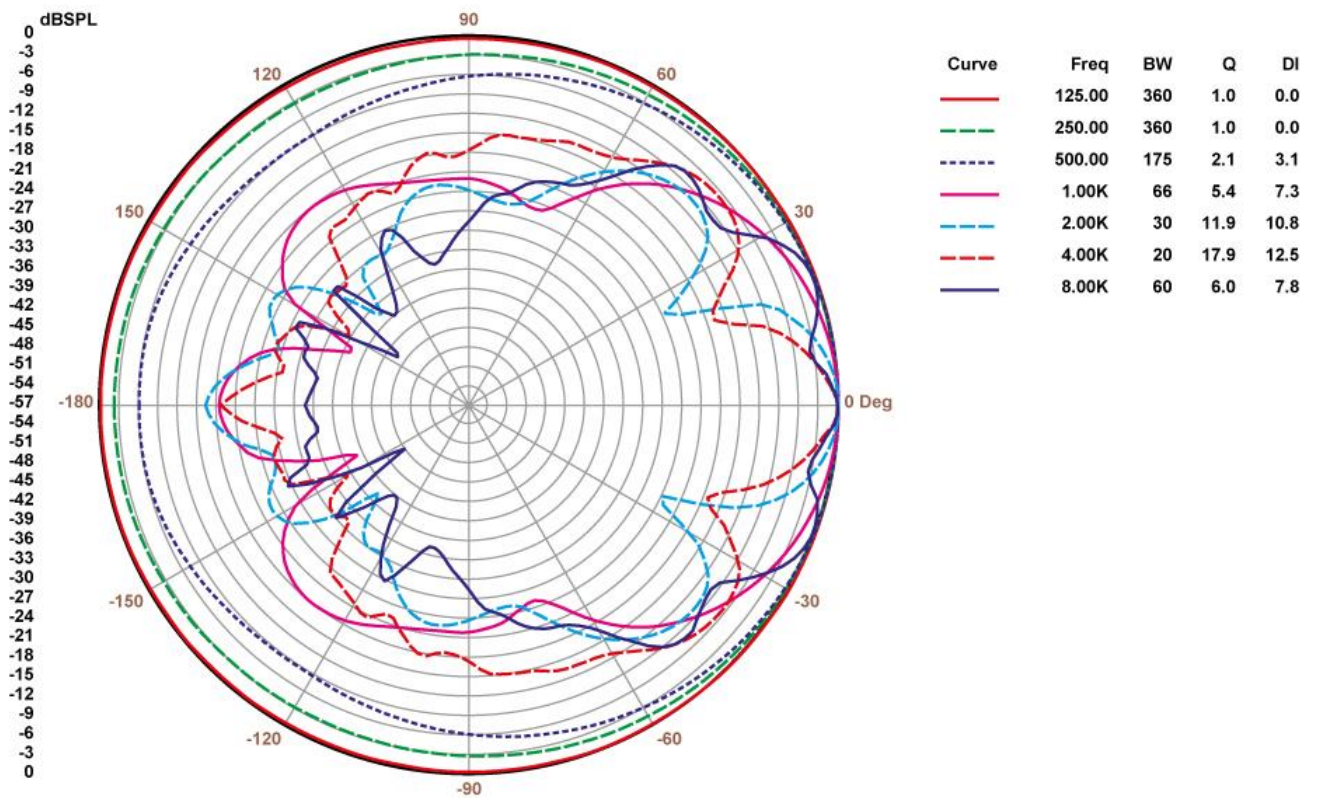


FREQUENCY RESPONSE DIAGRAMS

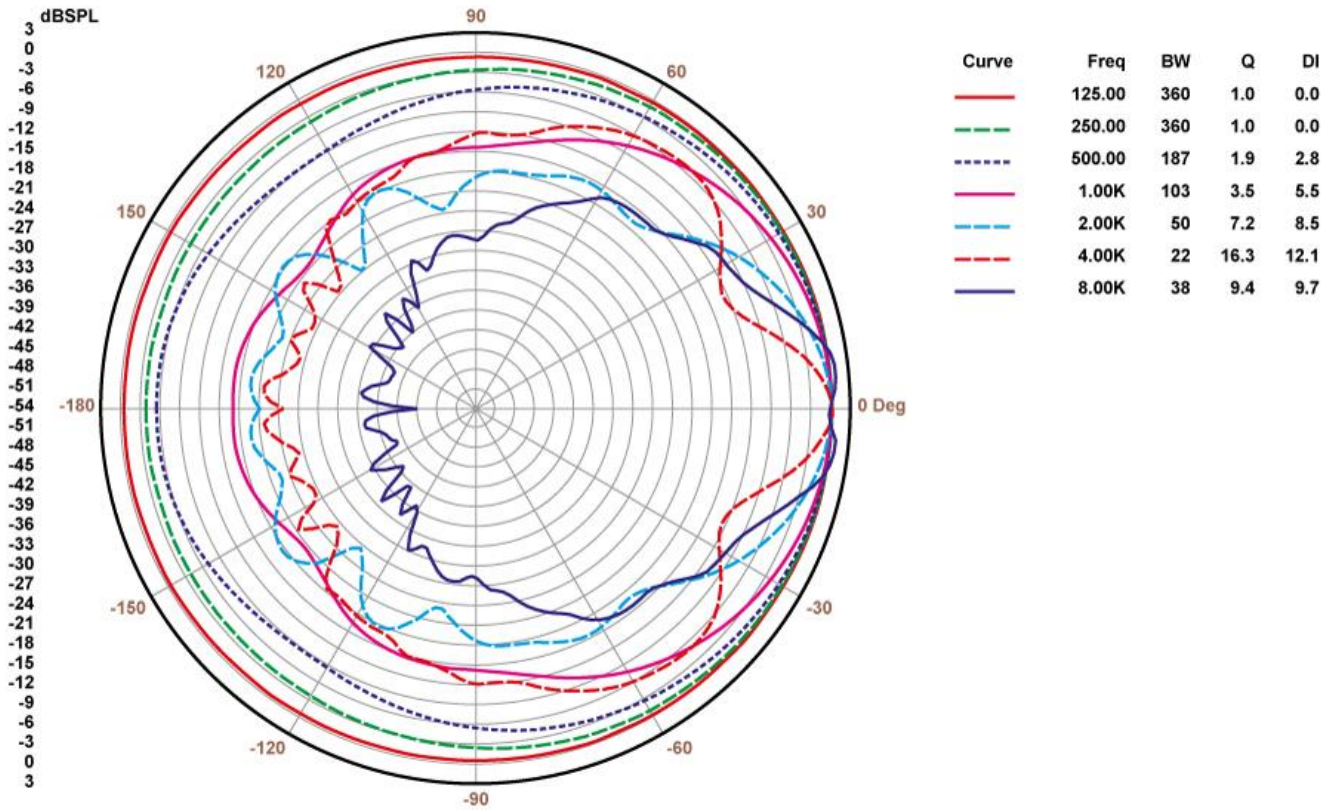


POLAR DIAGRAMS

Horizontal



Vertical



All product characteristics are subject to variation due to production tolerances. **NEEC AUDIO BARCELONA S.L.** reserves the right to make changes or improvements in the design or manufacturing that may affect these product specifications

For technical queries contact your supplier, distributor or complete the contact form on our website, in [Support / Technical requests](#).

Motors, 166-168 08038 Barcelona - Spain - (+34) 932238403 | [information@ecler.com](mailto:information@ecler.com) | [www.ecler.com](http://www.ecler.com)